



MAGNATECH LED
Simply brilliant



Optolite eX-1

Description



The **Optolite eX-1**® was designed to replace all filling stations as well as any application requiring high light intensity with explosion proof fitting.

This extremely powerful canopy light is a major improvement over conventional systems since the operator can choose the color temperature and the power of luminous flux.

The significant reduction of maintenance is of obvious interest for this type of use.

It is consistent with public lighting standards. Reliable and robust, **Optolite eX-1**® is a rapidly amortized investment.

Avantages

- ✔ Adapted to high risk area ;
- ✔ Resistant to shock and vibration ;
- ✔ No glare or Ultraviolet radiation;
- ✔ Up to 80% energy saving ;
- ✔ Ideal for replacing a metal halide lamp

Applications

- ✔ Filling Station
- ✔ Large indoor area
- ✔ Industrial area
- ✔ Outdoor Area

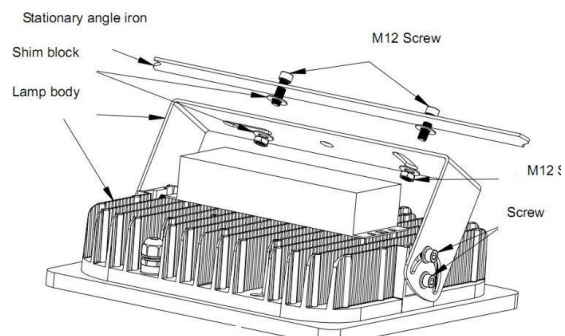
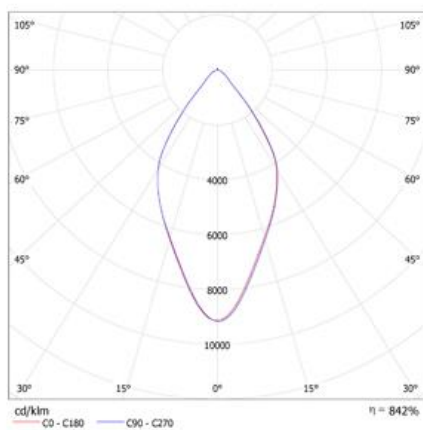
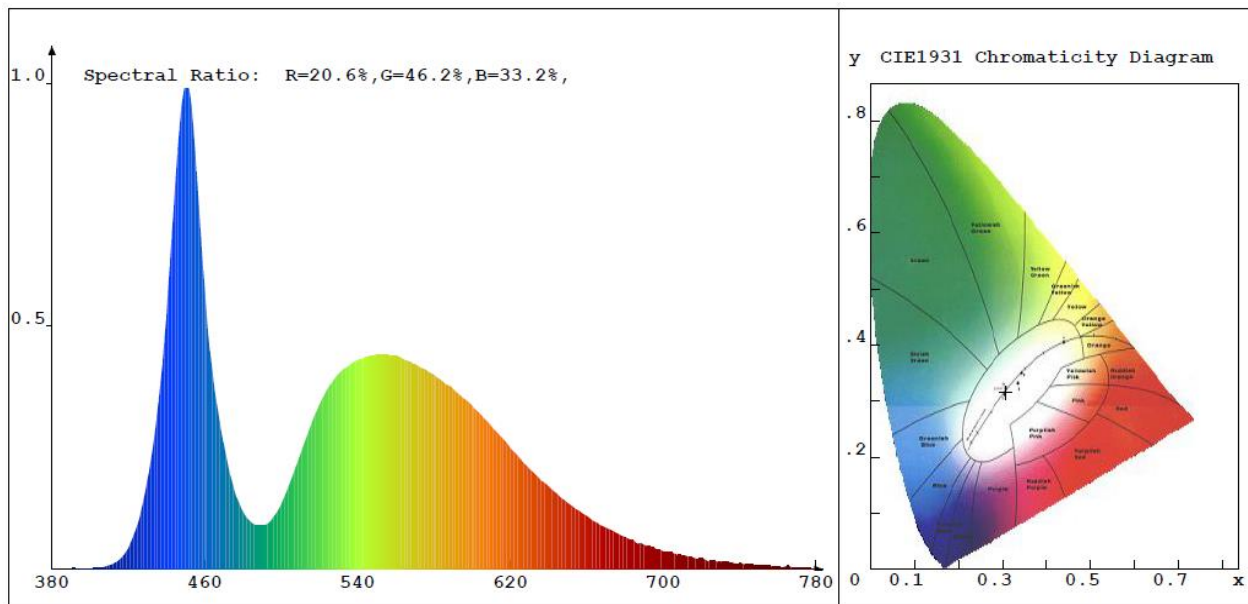




MAGNATECH LED
Simply brilliant



Technical Specifications



Power	Brightness	Beam Angle	CRI	IP Grade	Color
80W	6.800Lm $\pm 10\%$	120°	>80	IP67	All
100W	9.300Lm $\pm 10\%$	120°	>80	IP67	All
185W	16.650Lm $\pm 10\%$	120°	>80	IP67	All